



15" POS Network Android
Advertising Display

Overview

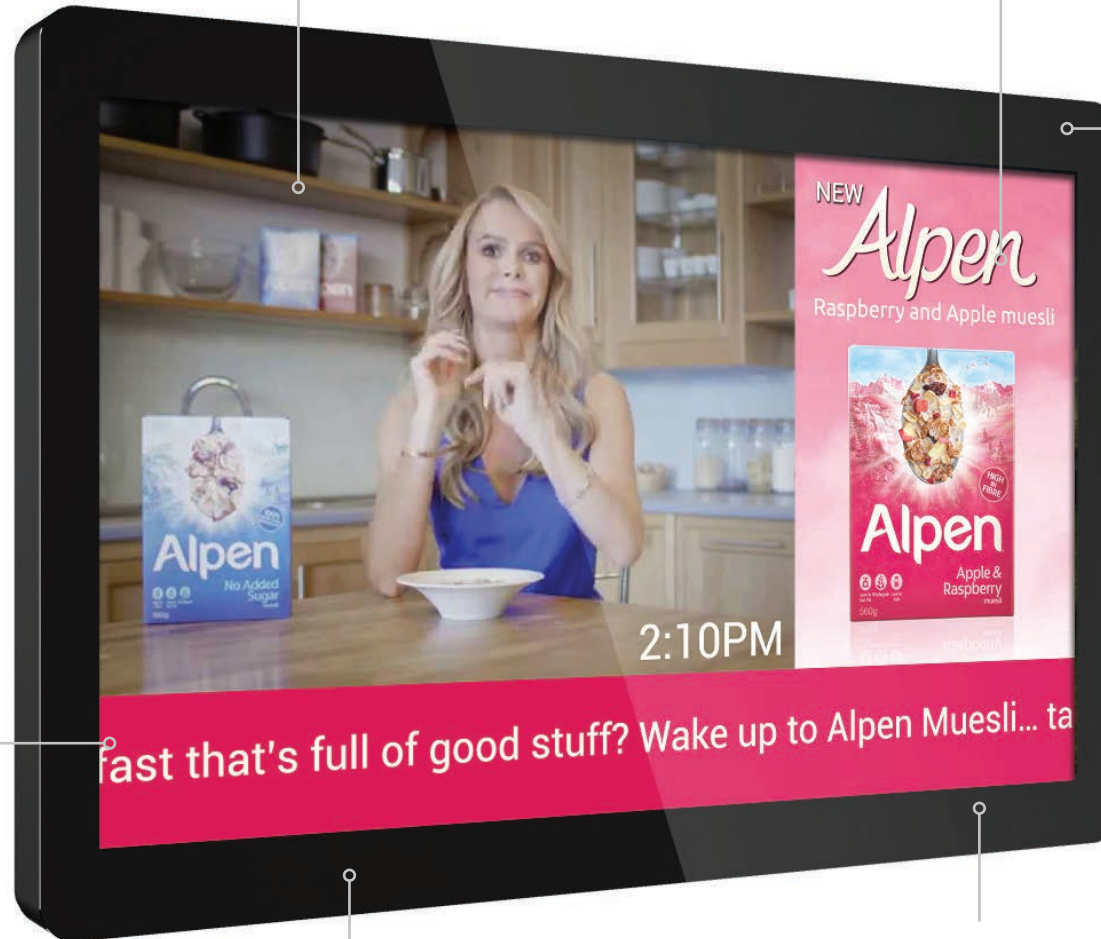
Integrated Android Media Player

The integrated Android Media Player allows for super fast updates. If required you can also run third party Digital Signage software via the Android PC board.



Commercial Grade

Designed for use in commercial applications this screen can run 24/7. No external buttons or controls to avoid tampering.



LED Backlight

Improves brightness and contrast as well as improving their lifespan and reducing their power consumption. Unlike other forms of light this technology is mercury free; making it even more eco-friendly. The panel and backlight have a lifespan in excess of 50,000 hours.

Built in Wi-Fi

Connect the screen to the CMS wirelessly via the integrated Wi-Fi, ethernet or by LAN.

Portrait/Landscape Orientation

The screen can be used in either a landscape or portrait orientation depending on your requirement.

Integrated Mounting Solution

The rear of the display includes an integrated and secure screw based mounting solution.





Update Via The Cloud

Updating your screens is extremely simple. Login to www.MySignagePortal.com to upload media, manage playlists, create your own templates and schedule content for whenever you want; giving you complete control over your network. No special software installation or dedicated PC is required, you can update your screens from anywhere in the world with an internet connection.



Touch Screen Upgrade

You can upgrade your display to be a PCAP touch screen to increase audience engagement. Your customers can interact with the display to explore a product range or even fill out data capture forms. Adding touch capabilities can really add another dimension to your advertising.

All In One Solution

All-in-One

- Screen
- Media Player
- CMS

Our screens have an integrated Android network media player; making installation a breeze. Typically network solutions require you to invest in additional networking hardware - complicating the installation process and the overall system. Hardware and software usually come from different sources which can result in confusion and conflict when identifying any potential faults. In contrast to this, any issues with our screens or Digital Signage software will be dealt with directly by us; one supplier, one solution.

Designed For Public Spaces



As well as having a buttonless tempered glass frontage and rounded corners these screens also have an enclosure made from a light-weight polymer so they are ideal for shelf edge and POS displays. They also have a screwless design to achieve a seamless aesthetic and avoid tampering.

24/7 Usage

24/7
Usage

Built with commercial grade panel and components these displays are designed to run 24/7 in constant use; unlike domestic tablets. The panel also has a lifespan of over 50,000 hours of continuous use. They can also be used in landscape or portrait orientation.

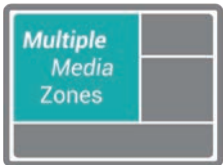


Android Media Player



Their integrated Android network media player provides super-fast processing speed for improved communication with the CMS. It also allows you to display live websites; this can be anything from a live web feed from a third party to your social media page. Should you need to you can also run your own software if you already have a CMS solution.

Create Custom Layouts



This feature allows you to design your own layout with different media zones for your images, videos, webpages, time, date and also allows you to add a scrolling message or RSS feed. You can even give your layout a corporate “skin” to go around your media zones.

Schedule Playlists



Display what you like, when you like. Create playlists that will automatically display your desired content a pre-determined times and dates. Whatever your scheduling requirements, our system can support them.

User Management



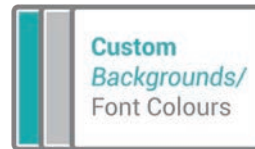
Create as many bespoke user accounts as you like. You may wish to limit some functions of the software to specific users, for example you may wish to allow a receptionist to upload media and have access to the screen in the reception area but nothing else - our system allows full user rights control.

Power Timer



This allows for reduced power usage by automatically powering off in hours that the displays are not required. You can set daily On/Off times for your displays.

Custom Background/Font Colours



Customise your colours - great for maintaining brand consistency. You can choose a colour from the palette or enter a Hex code to modify the colour of your background, scrolling text, static text, time and date.

Multi-Screen Synchronisation



You can synchronise the content across multiple screens that are connected to the same network. This is ideal for advertising networks on escalators or along lengthy corridors.

Network Features

Static Text

Allows you to input custom text values

Office Documents & PDF's

Display PDF files alongside Microsoft Word, Excel and PowerPoint files

Webpages

Allows you to display a live webpage such as a social media page or live web feed

Videos

Multiple videos playing in a continuous rolling loop

Image

Multiple images playing in a continuous rolling loop

Logo

Brand your layout with your logo which will stay on top of all other zones



Scrolling Text

Display a ticker tape message or live RSS feed. From here you can adjust the font, size, colour, speed and direction of the text

Time

Display the time in a variety of formats, sizes and in whatever colour you want

Date

Display the date in a variety of formats, sizes and in whatever colour you want

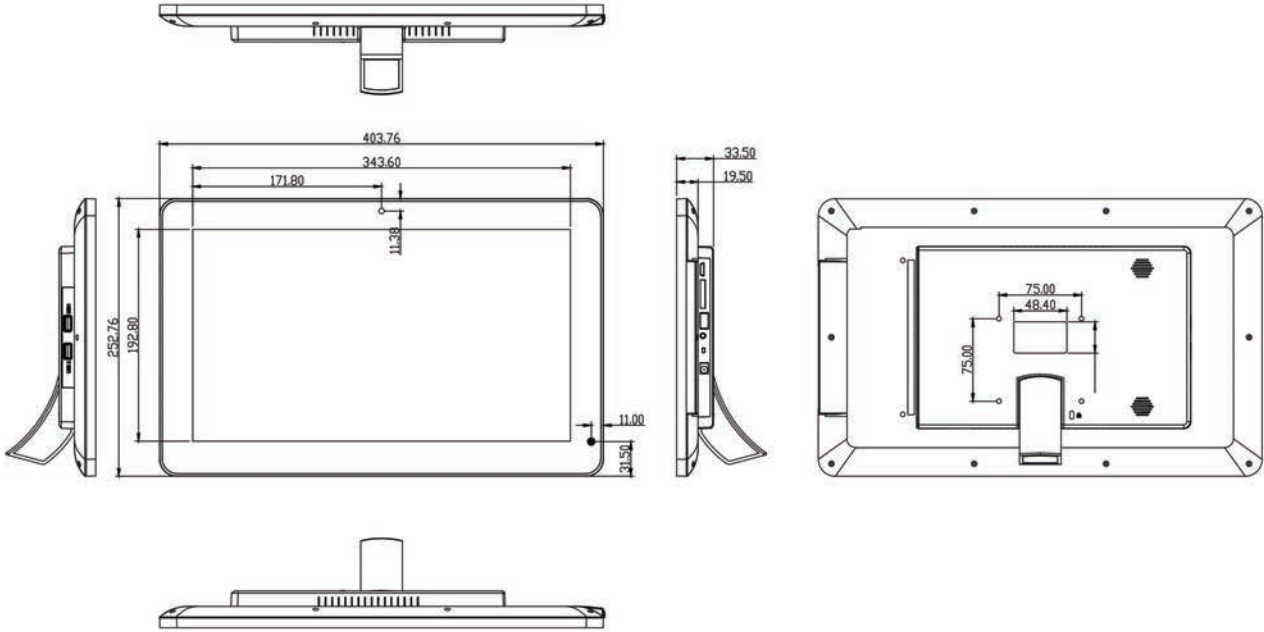
Weather Widget

Display a real time weather forecast for up to the next three days

Background

Set an image or a colour to frame your media zones

Technical Drawing:



Panel	Display Size	15 inch	
	Resolution	1366x768	
	Display Area (mm)	343.6x192.8	
	Aspect Ratio	16:10	
	Brightness (cd/m ²)	450	
	Colour	16.7M	
	Colour Depth	10 Bit	
	Viewing Angle	178°	
Contrast Ratio	800:1		
Audio	Speaker Type	2W, 8Ω x 2	
Power	Power Consumption (W)	20	
	Input Voltage	AC110~240V (50Hz~60Hz)	
Mechanical	Unit Size (WxHxD mm)	403.8x252.8x32	
	VESA Holes (mm)	75x75	
	Package Size (WxHxD mm)	430x359x68	
	Working Temperature	0 °C to 50 °C	
Feature	Internal Media Player	Media Formats	Video (MPG, AVI, MP4, RM, RMVB, TS), Audio (MP3, WMA), Image (JPG, GIF, BMP, PNG)
		Media Resolution	1920x1080/1080x1920
		Internal Memory	6GB
		CPU	Quad Core ARM Cortex A17@1.8GHz And Quad Mali –T764
		GPU	ARM Mali-400MP2
		RAM	2GB DDR3
		ROM	8GB NAND
		USB	USB2.0 HOST x1
		Wi-Fi	802.11b/g/n
		OS	Android 5.1.1
		Graphic Engine	OpenGL ES2.0 and OpenVG 1.1
Special	Images, Videos, Audio, RSS Feeds, Website/HTML5, Multiple Zones, Background Image, Scrolling Text Message, Static Text, Editable Background Colours, Editable Font Colours, Time and Date, Remote Commands, User Management, Multi-screen Synchronisation		
Accessories	Optional	PCAP Touch Screen Upgrade	